



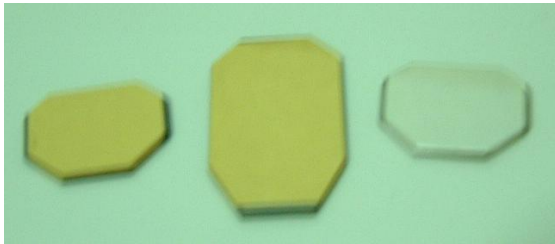
Sintec Optronics Pte Ltd

10 Bukit Batok Crescent #07-02 The Spire Singapore 658079

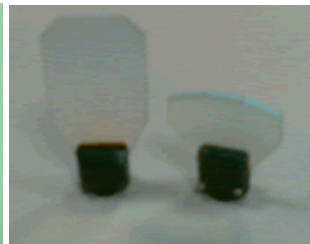
Tel: +65 63167112 Fax: +65 63167113

Scan Mirrors

The scan mirrors are rectangular mirror of light weight. They are to be used for high speed two-axis laser scanning system. The dimensions of each mirror have been calculated to allow for scanning of a laser beam with no beam spill over at the extremis of scan. The mirrors have high reflectivities of 99.7% or above and so may be safe at high powers.



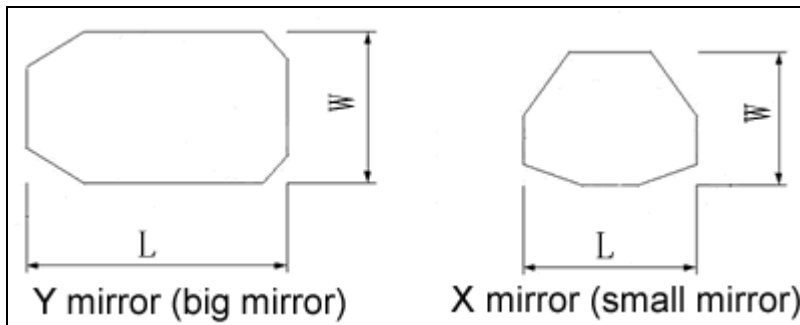
Scan mirror



Scan mirror with holder



Mounted scan mirror with galvo



Model Description: SMxxx-xxA-LxWxT-Dx-BB

SM: laser scan mirror

xxx: laser wavelength, 1064nm, 532nm or 10.6um

xx: maximum allowed input beam diameter (mm)

A: X mirror or Y mirror

LxWxT: dimension, length x width x thickness (mm)

Dx: mounted scan mirror with holder, x is the hole diameter of the holder in mm

BB: other for special use such as SJ series, LK series and WT series

Example: SM1064-12X-21x16.8x2-D5-SJ, mounted X mirror at 1064nm wavelength, mirror dimension 21x16x22mm, hole diameter of the holder of 5mm, dielectric coating at 1064nm

Scan Mirrors (10.6um, CO2 laser)

Max input beam diameter	Part number	Dimension (LxWxT, mm)	Remark
8	SM10.6-8X-18x13x1.2-SJ	18x13x1.2	Fused silica, gold-coating
8	SM10.6-8Y-22x15x1.2-SJ	22x15x1.2	Fused silica, gold-coating
10	SM10.6-10X-20x15x1.2-SJ	20x15x1.2	Fused silica, gold-coating
10	SM10.6-10Y-27.5x17x1.2-SJ	27.5x17x1.2	Fused silica, gold-coating
10	SM10.6-10X-20.3x13.7x2-WT	20.3x13.7x2	Fused silica, gold-coating
10	SM10.6-10Y-24.4x17.8x2-WT	24.4x17.8x2	Fused silica, gold-coating
10	SM10.6-10X-18x14x2-LK	18x14x2	Fused silica, gold-coating
10	SM10.6-10Y-24x16x2-LK	24x16x2	Fused silica, gold-coating
12	SM10.6-12X-21x16.8x2-SJ	21x16.8x2	Fused silica, gold-coating
12	SM10.6-12Y-30x19x2-SJ	30x19x2	Fused silica, gold-coating
12	SM10.6-12X-21x16x2-WT	21x16x2	Fused silica, gold-coating
12	SM10.6-12Y-32x19x2-WT	32x19x2	Fused silica, gold-coating

12	SM10.6-12X-20x16x2-LK	20x16x2	Fused silica, gold-coating
12	SM10.6-12Y-30x19x2-LK	30x19x2	Fused silica, gold-coating
15	SM10.6-15X-27x19x2-SJ	27x19x2	Fused silica, gold-coating
15	SM10.6-15Y-37x22x2-SJ	37x22x2	Fused silica, gold-coating
16	SM10.6-16X-28x20x2-SJ	28x20x2	Fused silica, gold-coating
16	SM10.6-16Y-39x23x2-SJ	39x23x2	Fused silica, gold-coating
16	SM10.6-16X-27x21-2.5-LK	27x21-2.5	Fused silica, gold-coating
16	SM10.6-16Y-38x24x2.5-LK	38x24x2.5	Fused silica, gold-coating
20	SM10.6-20X-37x24x2-SJ	37x24x2	Fused silica, gold-coating
20	SM10.6-20Y-49x31x2-SJ	49x31x2	Fused silica, gold-coating
25	SM10.6-25X-46x30x3-SJ	46x30x3	Fused silica, gold-coating
25	SM10.6-25Y-56.4x39x3-SJ	56.4x39x3	Fused silica, gold-coating

Scan Mirrors (1064nm, Nd:YAG laser)

Max input beam diameter	Part number	Dimension (LxWxT, mm)	Remark
8	SM1064-8X-18x13x1.2-SJ	18x13x1.2	Optical glass, dielectric coating, reflectivity >99.5% at 1064nm and >80% at 633nm.
8	SM1064-8Y-22x15x1.2-SJ	22x15x1.2	
10	SM1064-10X-20x15x1.2-SJ	20x15x1.2	
10	SM1064-10Y-27.5x17x1.2-SJ	27.5x17x1.2	
10	SM1064-10X-20.3x13.7x2-WT	20.3x13.7x2	
10	SM1064-10Y-24.4x17.8x2-WT	24.4x17.8x2	
10	SM1064-10X-18x14x2-LK	18x14x2	
10	SM1064-10Y-24x16x2-LK	24x16x2	
12	SM1064-12X-21x16.8x2-SJ	21x16.8x2	
12	SM1064-12Y-30x19x2-SJ	30x19x2	
12	SM1064-12X-21x16x2-WT	21x16x2	
12	SM1064-12Y-32x19x2-WT	32x19x2	
12	SM1064-12X-20x16x2-LK	20x16x2	
12	SM1064-12Y-30x19x2-LK	30x19x2	
15	SM1064-15X-27x19x2-SJ	27x19x2	
15	SM1064-15Y-37x22x2-SJ	37x22x2	
16	SM1064-16X-28x20x2-SJ	28x20x2	
16	SM1064-16Y-39x23x2-SJ	39x23x2	
16	SM1064-16X-27x21-2.5-LK	27x21-2.5	
16	SM1064-16Y-38x24x2.5-LK	38x24x2.5	
20	SM1064-20X-37x24x2-SJ	37x24x2	
20	SM1064-20Y-49x31x2-SJ	49x31x2	
25	SM1064-25X-46x30x3-SJ	46x30x3	
25	SM1064-25Y-56.4x39x3-SJ	56.4x39x3	

Scan Mirrors (532nm, Nd:YAG laser)

Max input beam diameter	Part number	Dimension (LxWxT, mm)	Remark
8	SM532-8X-18x13x1.5-SJ	18x13x1.5	Optical glass, dielectric coating, reflectivity >99.5% at 532nm.
8	SM532-8Y-22x15x1.5-SJ	22x15x1.5	
10	SM532-10X-20x15x1.5-SJ	20x15x1.5	
10	SM532-10Y-27.5x17x1.5-SJ	27.5x17x1.5	
10	SM532-10X-20.3x13.7x2-WT	20.3x13.7x2	
10	SM532-10Y-24.4x17.8x2-WT	24.4x17.8x2	
12	SM532-12X-21x16.8x2-SJ	21x16.8x2	
12	SM532-12Y-30x19x2-SJ	30x19x2	
12	SM532-12X-21x16x2-WT	21x16x2	
12	SM532-12Y-32x19x2-WT	32x19x2	
15	SM532-15X-27x19x2-SJ	27x19x2	
15	SM532-15Y-37x22x2-SJ	37x22x2	
16	SM532-16X-28x20x2-SJ	28x20x2	
16	SM532-16Y-39x23x2-SJ	39x23x2	
20	SM532-20X-37x24x2-SJ	37x24x2	
20	SM532-20Y-49x31x2-SJ	49x31x2	
25	SM532-25X-46x30x3-SJ	46x30x3	

25	SMV532-25Y-56.4x39x3-SJ	56.4x39x3	
----	-------------------------	-----------	--

Scan Mirrors (visible light)

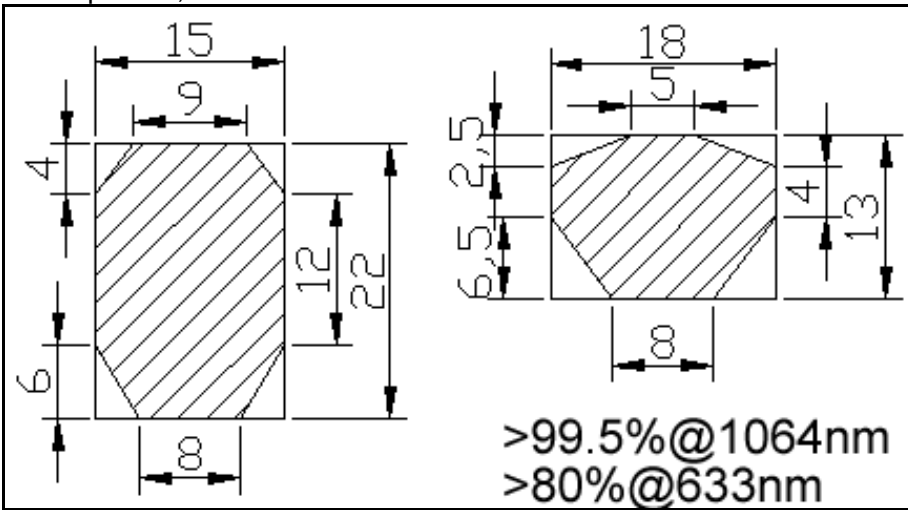
Max input beam diameter	Part number	Dimension (LxWxT, mm)	Remark
8	SMV-8X-18x13x1.5-SJ	18x13x1.5	Optical glass, protective silver coating
8	SMV-8Y-22x15x1.5-SJ	22x15x1.5	
10	SMV-10X-20x15x1.5-SJ	20x15x1.5	
10	SMV-10Y-27.5x17x1.5-SJ	27.5x17x1.5	
10	SMV-10X-20.3x13.7x1.5-WT	20.3x13.7x1.5	
10	SMV-10Y-24.4x17.8x1.5-WT	24.4x17.8x1.5	
10	SMV-10X-18x14x2-DH	18x14x2	
10	SMV-10Y-24x16x2-DH	24x16x2	
12	SMV-12X-21x16.8x2-SJ	21x16.8x2	
12	SMV-12Y-30x19x2-SJ	30x19x2	
12	SMV-12X-21x16x2-WT	21x16x2	
12	SMV-12Y-32x19x2-WT	32x19x2	
15	SMV-15X-27x19x2-SJ	27x19x2	
15	SMV-15Y-37x22x2-SJ	37x22x2	
16	SMV-16X-28x20x2-SJ	28x20x2	
16	SMV-16Y-39x23x2-SJ	39x23x2	
20	SMV-20X-37x24x2-SJ	37x24x2	
20	SMV-20Y-49x31x2-SJ	49x31x2	
25	SMV-25X-46x30x3-SJ	46x30x3	
25	SMV-25Y-56.4x39x3-SJ	56.4x39x3	

Customized scan mirrors (various wavelengths and dimensions) are available on request.

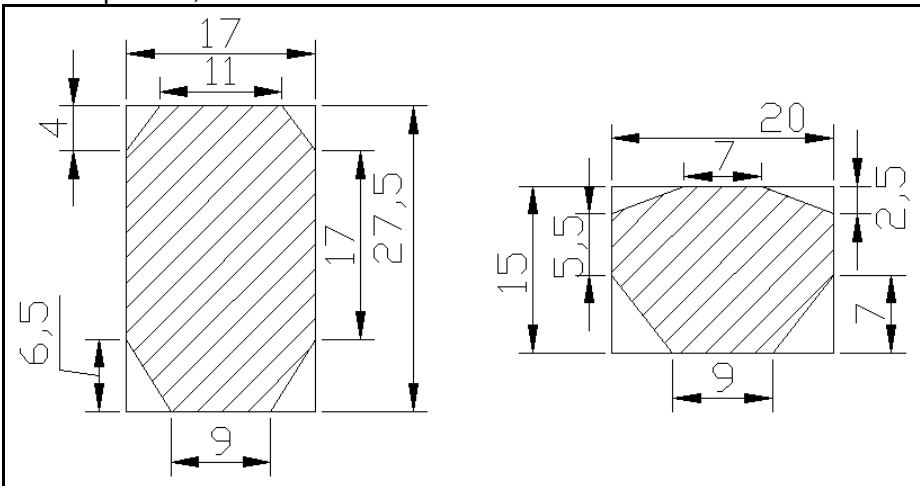
Dimensions of Scan Mirrors

1. SJ Series Scan Mirrors

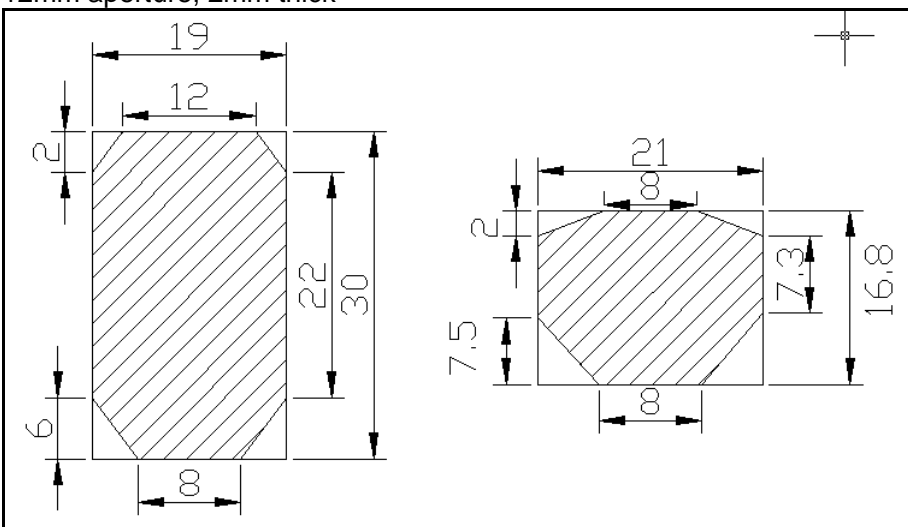
8mm aperture, 1.5mm thick



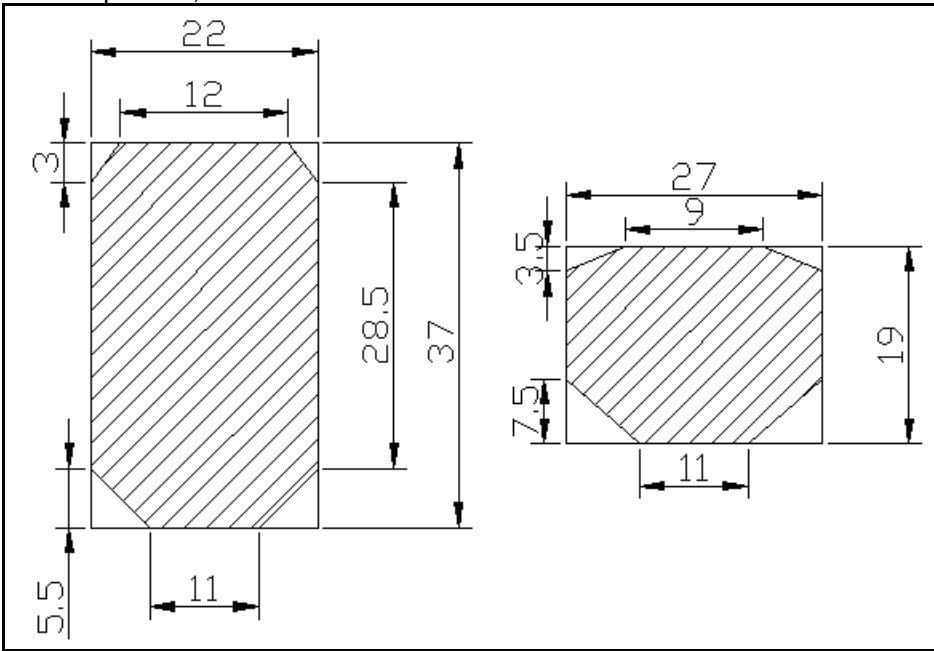
10mm aperture, 1.5mm thick



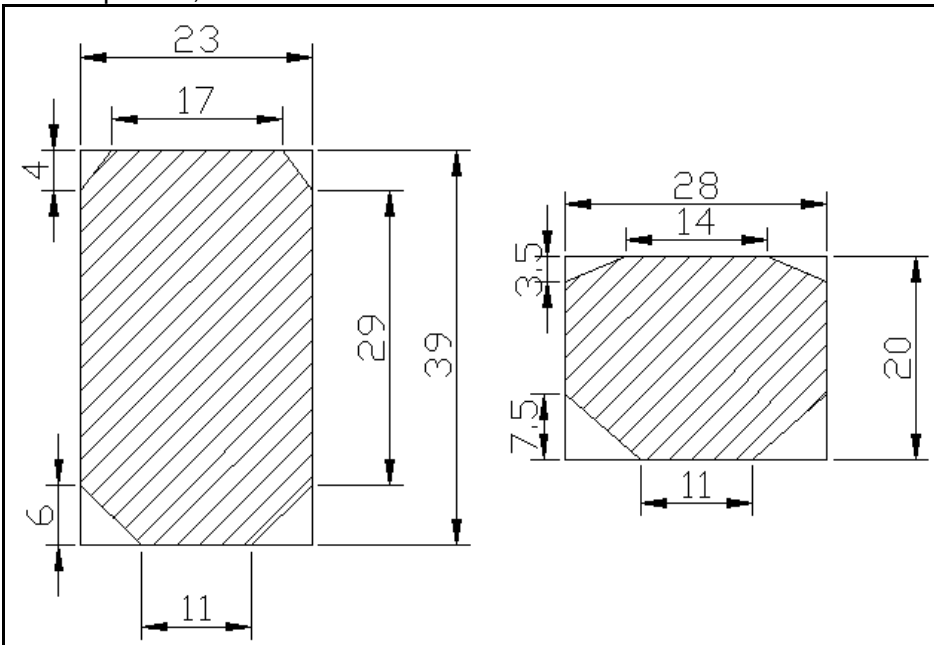
12mm aperture, 2mm thick



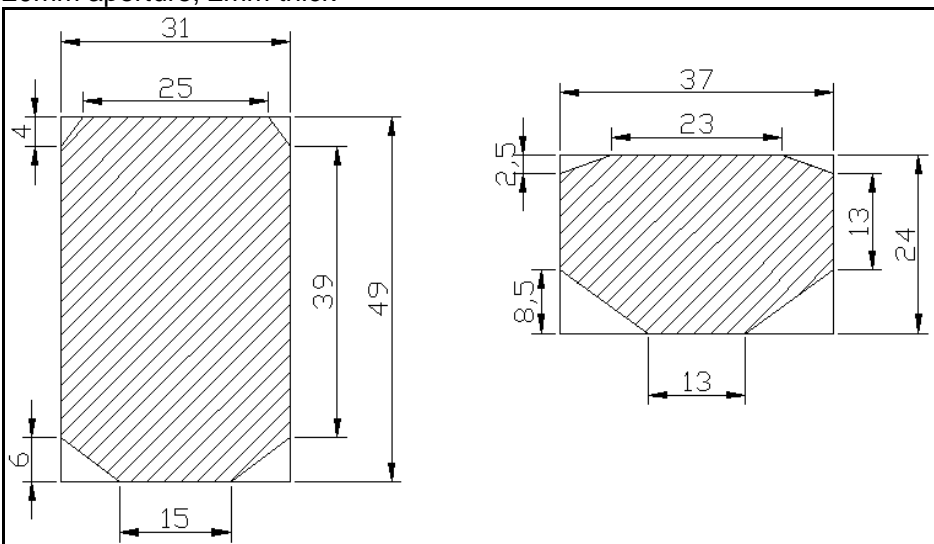
15mm aperture, 2mm thick



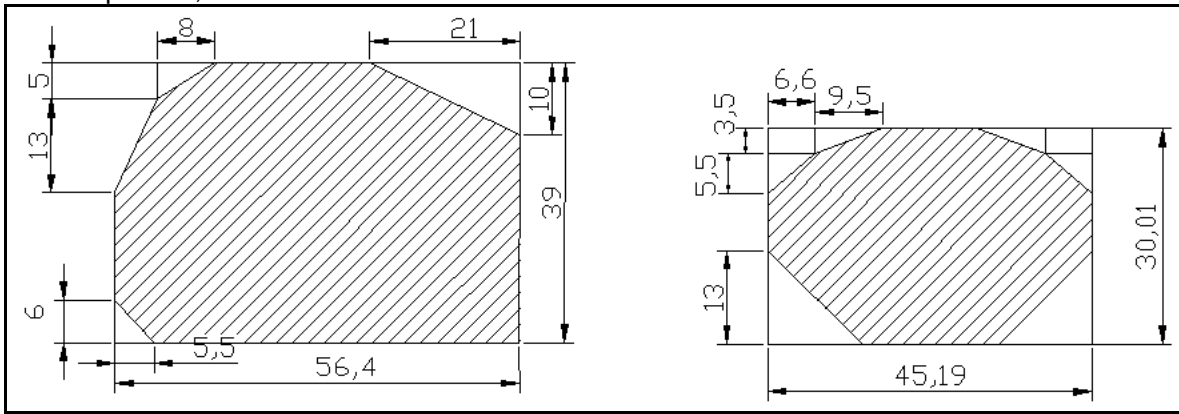
16mm aperture, 2mm thick



20mm aperture, 2mm thick

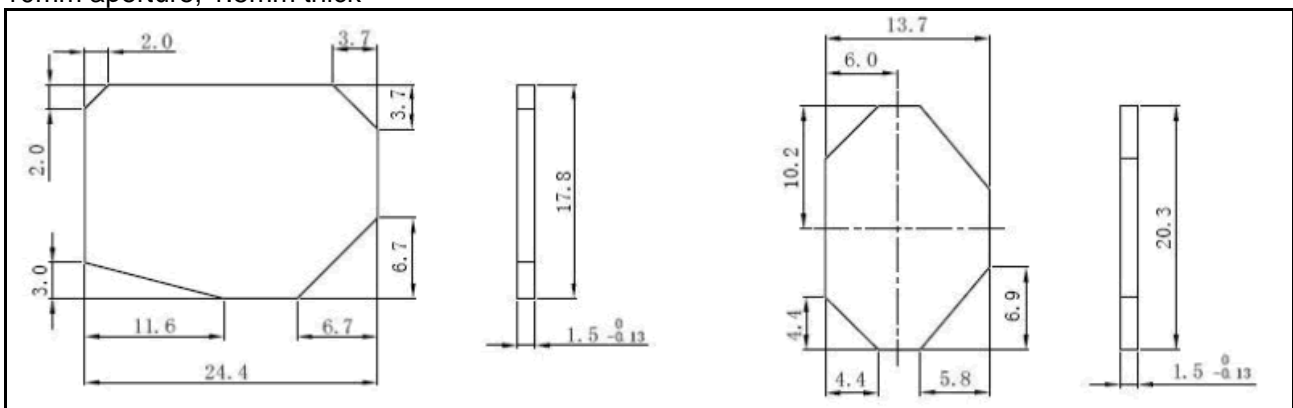


25mm aperture, 3mm thick

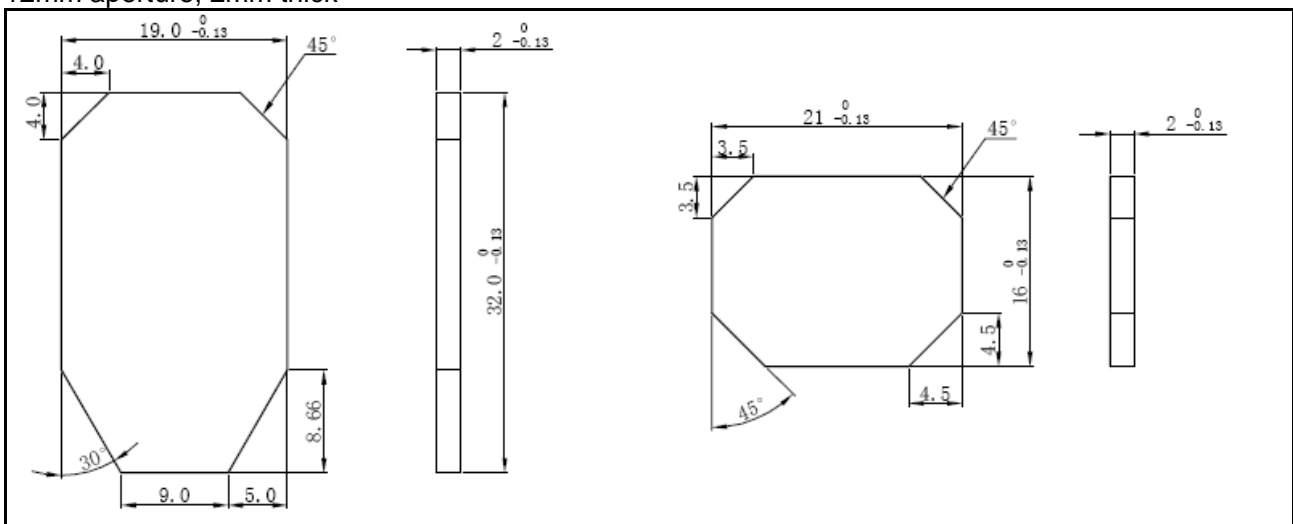


2. WT Series Scan Mirrors

10mm aperture, 1.5mm thick

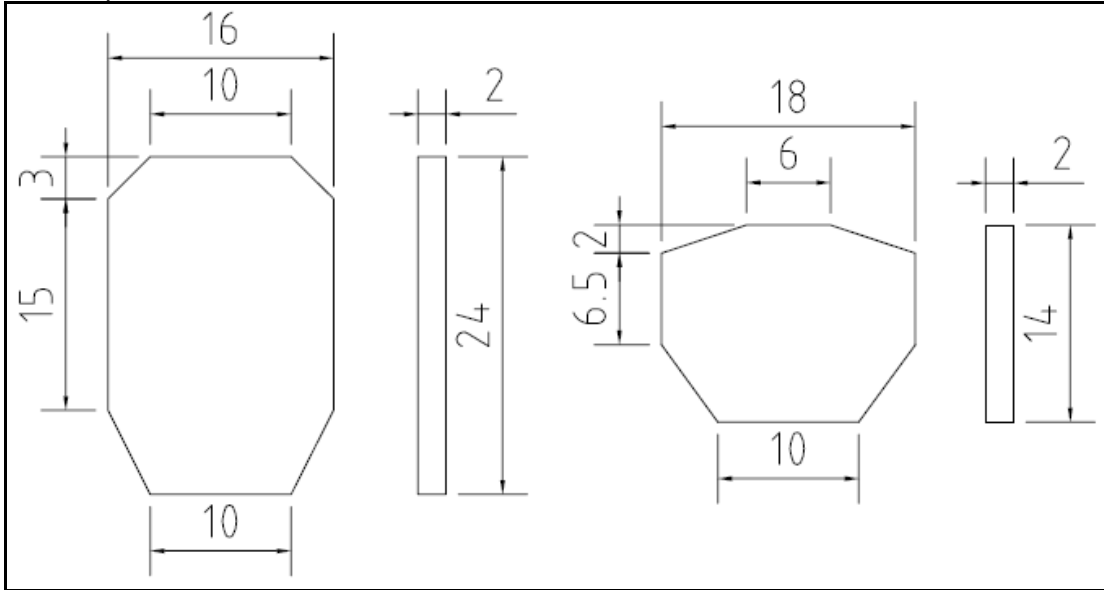


12mm aperture, 2mm thick

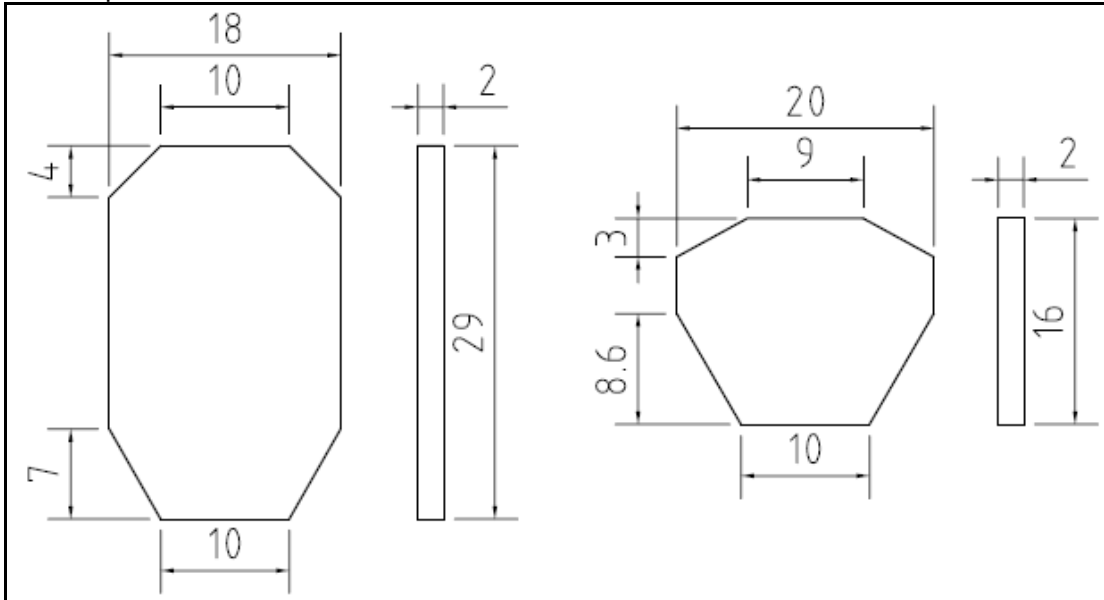


3. LK Series Scan Mirrors

10mm aperture, 2mm thick



12mm aperture, 2mm thick



16mm aperture, 2.5mm thick

