

# RF Driver

## N380xx-15DMA05

- 15W RF output power
- 24, 27 or 41MHz
- Compact 15VDC module

### Description

A compact 15W RF driver module manufactured by our US subsidiary NEOS Technologies, available in standard frequencies from 24 to 41MHz. Innovative design ensures exceptional pulse-to-pulse stability and the use of derated components provides long lifetime and superb reliability.

Powered from 15VDC, with cooling by forced air over the heat sink, full digital control is achieved by an externally applied TTL signal.

A 0-5VDC input enables control of the RF power output, allowing First Pulse Suppression through analogue modulation. Synchronisation between the oscillator frequency and digital modulation input may be achieved using the 'zero cross' function.

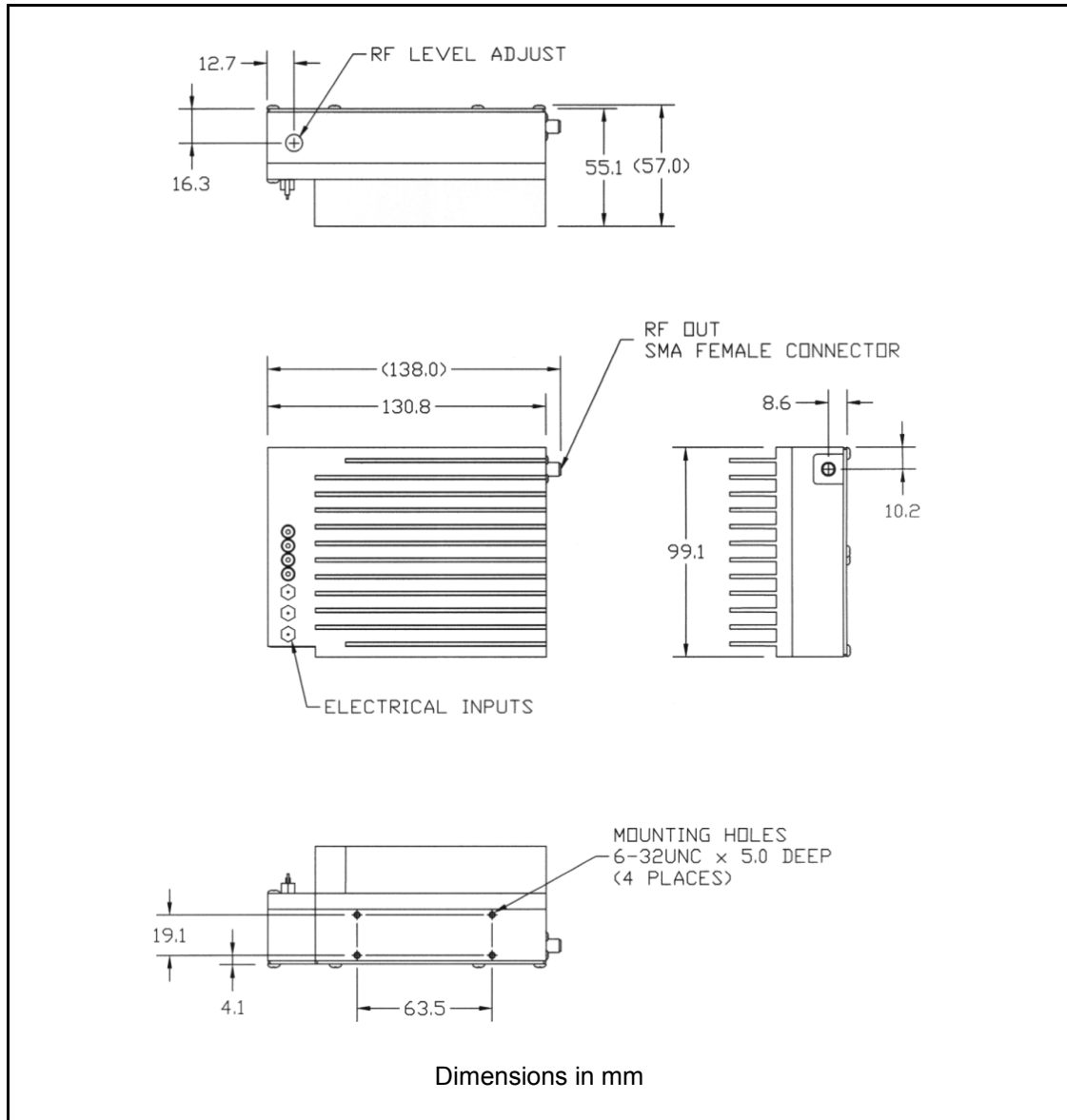
### Specification

RF Power Output:	15W
Frequency (xx=24, 27 or 41):	24.00, 27.12 or 40.68MHz
Frequency Tolerance:	±0.02%
Output Impedance:	50Ω
RF Fall-Time:	< 50ns
RF Rise-Time:	< 500ns
Extinction Ratio:	> 40dB
Harmonic Levels:	< -25dB at full power
Supply Voltage Input:	15VDC ±10%
Supply Current Input:	3.0A
RF Power Control:	Trimpot adjustable and analogue
Modulation Control Input:	Digital TTL (TTL high = RF on) Analogue 0-5VDC (1kΩ)
Modulation Repetition Rate:	DC to 100kHz
Housing:	Module
Storage Temperature:	-20°C to +85°C
Operating Temperature:	+10°C to +55°C

# RF Driver

N380xx-15DMA05

## Mechanical Dimensions



Specifications subject to change without notice. October 2004